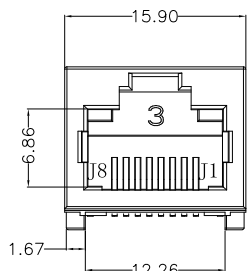
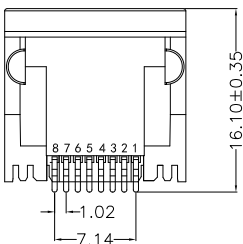


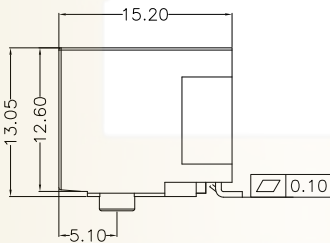
TOP VIEW



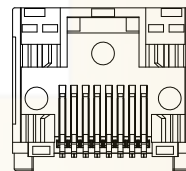
FRONT VIEW



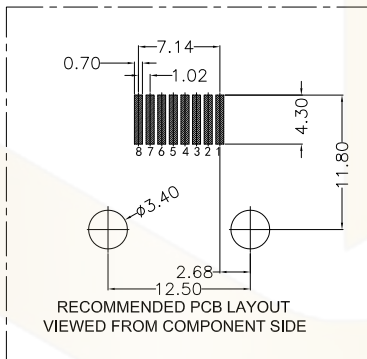
BOTTOM VIEW



RIGHT SIDE VIEW



BACK VIEW



RECOMMENDED PCB LAYOUT VIEWED FROM COMPONENT SIDE

**MATERIAL:**

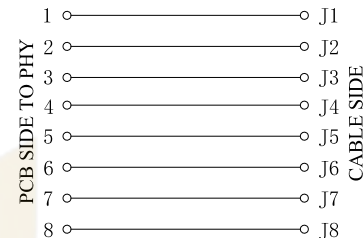
HOUSING: LCP,UL94V-0,BLACK.  
 TERMINAL: PHOSPHOR BRONZE T=0.30MM,  
 G/FU" GOLD PLATING ON CONTACT AREA.

**MACHANICAL:**

DURABILITY: 750 CYCLES MIN,12.5MM/MINUTE.  
 INSERTION FORCE: 2.2KG.F MAX.  
 RETENTION STRENGTH : 7.7KG.F BETWEEN JACK AND PLUG.  
 OPERATING TEMPERATURE: -40°C~+85°C.  
 STORAGE TEMPERATURE: -40°C~+85°C.  
 ALL CRITICAL DIMENSIONS WITH "\*\*"

**ELECTRICAL:**

VOLTAGE: 125 VOLTS AC.  
 CURRENT RATING : 1.5AMP.  
 DIELECTRIC STRENGTH: 1000 VAC RMS 50HZ OR 60HZ,1MIN.  
 INSULATION RESISTANCE: 500 MEGA OHMS MIN. INITIAL  
 AFTER 500V DC FOR 1 MINUTE.  
 CONTACT RESISTANCE: SINGLE TERMINAL 30 MILLIOHMS MAX.  
 INITIAL 50 MILLIOHMS MAX. AFTER  
 DURABILITY TEST.



			GENERL TOLERANCE	制图 DRAWING	深圳市华灿天禄电子有限公司 ShenzhenhuacantianluELECTRONICS CO., LTD			
			DIM TOL	审核 CHECK				
			X.X ±0.30	批准 APPROVAL	产品名称 TITLE	网络插座 (无灯全塑 带屏蔽 贴片)	版本 REV.	A
			X.XX ±0.20	比例 SCALE	产品料号 PART NO.	HC-RJ45-5JAS-1-6-01	单位 UNITS	mm
			X.XXX ±0.10	投影 Projection	材料 MATERIAL		页次 SHEET	1/1
序号 No.	变更内容 MODIFY CONTENT	日期 MODIFY DATE	Angle ±3.0°					