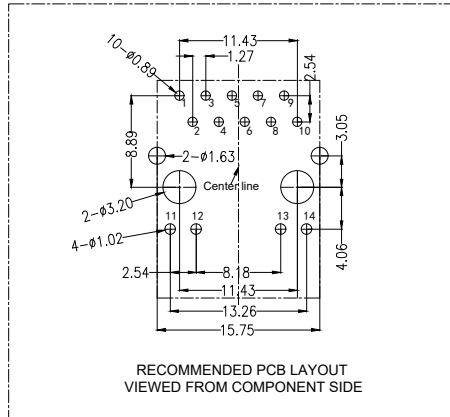


TOP VIEW



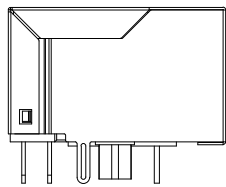
RECOMMENDED PCB LAYOUT  
VIEWED FROM COMPONENT SIDE

**MATERIAL:**

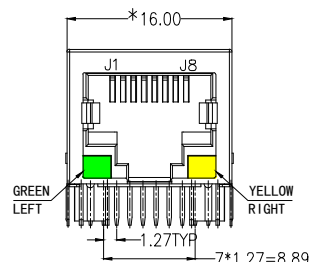
HOUSING: PBT,UL94V-0,BLACK.  
 TERMINALS BRACKET: PBT,UL94V-0,BLACK.  
 SHIELD: BRASS,T=0.20MM,NICKEL PLATING ON ALL AREA.  
 TERMINAL: PHOSPHOR BRONZE,T=0.35MM,  
 6U" GOLD PLATING ON CONTACT AREA.

**MECHANICAL:**

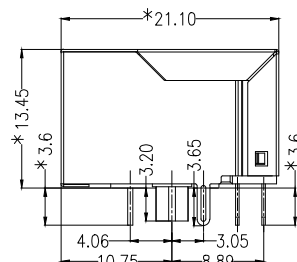
DURABILITY: 750 CYCLES MIN.  
 MATING FORCE: 23N MAX.  
 OPERATING TEMPERATURE: -40°C~+85°C.  
 STORAGE TEMPERATURE: -40°C~+85°C.  
 ALL CRITICAL DIMENSIONS WITH "\*"



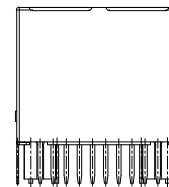
LEFT SIDE VIEW



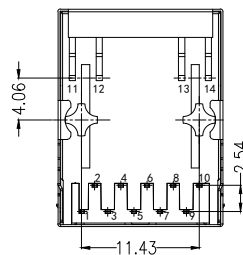
FRONT VIEW



RIGHT SIDE VIEW



BACK VIEW



BOTTOM VIEW

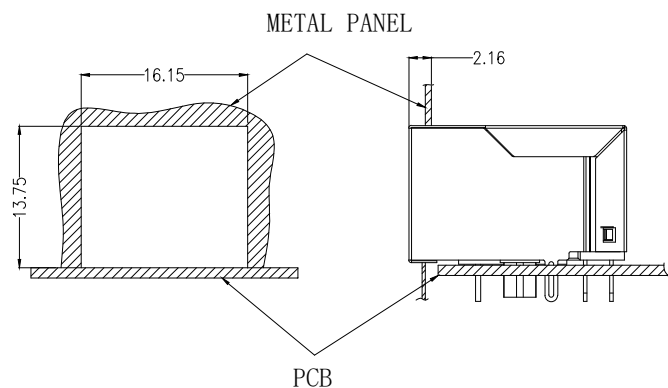
**Ordering Information**

HC 6\* \* \* \*\* A - M\*\*\* - A

| Type    | LED Color   | EMI            | Ports    | 产品序号 |
|---------|-------------|----------------|----------|------|
| 61-卧式插件 | 0-蓝灯        | 0-无弹           | 1-1口     |      |
| 62-立式插件 | 1-黄灯 (左绿右黄) | 7-有弹           | 01-1口    |      |
| 63-立式贴片 | 2-黄灯 (左绿右黄) | 8-4Pin插针       | 02-2口    |      |
| 64-立式贴片 | 3-黄灯 (左绿右黄) | 9-4Pin插针 (无屏蔽) | 22-2口211 |      |
|         | 4-黄灯 (左绿右黄) |                | .....    |      |
|         | 5-黄灯 (左绿右黄) |                |          |      |
|         | 6-黄灯 (左绿右黄) |                |          |      |
|         | 7-黄灯 (左绿右黄) |                |          |      |
|         | 8-黄灯 (左绿右黄) |                |          |      |

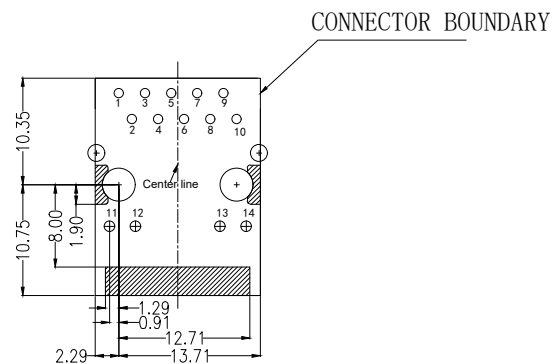
|           |                        |                   |                  |                  |   |  |             |     |
|-----------|------------------------|-------------------|------------------|------------------|---|--|-------------|-----|
|           |                        |                   | GENEAL TOLERANCE | 制图<br>DRAWING    | <b>深圳市华灿天禄电子有限公司</b><br>ShenzhenhuacantianluELECTRONICS CO.,LTD |  |             |     |
|           |                        |                   | DIM TOL          | 审核<br>CHECK      | 产品名称<br>TITLE   | 网络插座 (卧插 带灯无弹 左绿 右黄 TAB-DOWN 1X1 1000BASE) | 版本<br>REV.  | A   |
|           |                        |                   | X.X ±0.30        | 批准<br>APPROVAL   | 产品料号<br>PART NO.  | HC612601A-M417-A                           | 单位<br>UNITS | mm  |
|           |                        |                   | X.XX ±0.20       | 比例<br>SCALE      | 材料<br>MATERIAL  |  | 页次<br>SHEET | 1/4 |
|           |                        |                   | X.XXX ±0.10      | 投影<br>Projection |   |  |             |     |
| 1         | 初版发行                   |                   | Angle ±3.0°      |                  |   |  |             |     |
| 序号<br>No. | 变更内容<br>MODIFY CONTENT | 日期<br>MODIFY DATE |                  |                  |   |  |             |     |

RECOMMENDED PANEL CUTOUT (REFERENCE ONLY) :




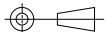
UNIT: MM / INCH  
TOLERANCES:  $\pm 0.10$  / 0.004  
REFERENCE ONLY

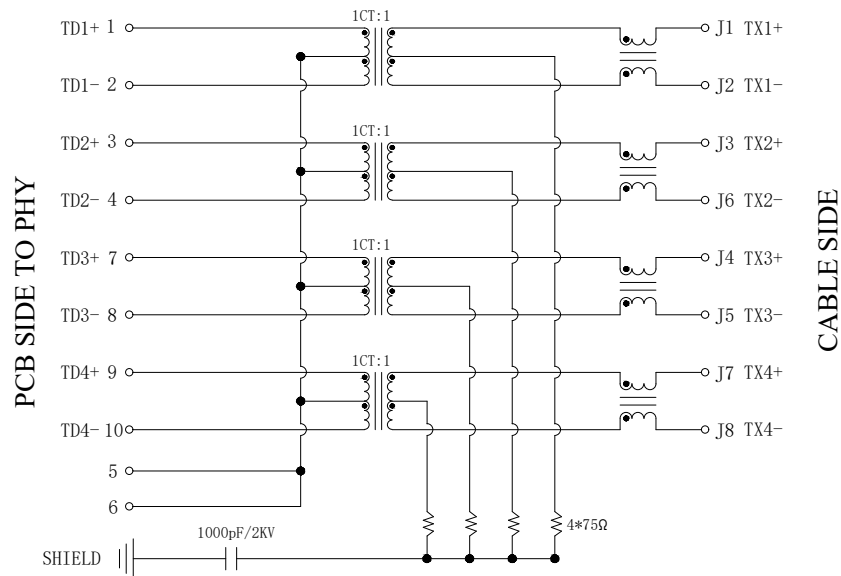
KEEP-OUT AREA (COMPONENT SIDE VIEW) :



PLUG-IN SIDE

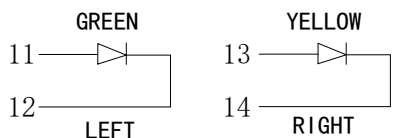
UNIT: MM / INCH  
TOLERANCES:  $\pm 0.10$  / 0.004

|           |                        |                   |                       |   |  |   |             |     |
|-----------|------------------------|-------------------|-----------------------|---|--|---|-------------|-----|
|           |                        |                   | GENERAL TOLERANCE     | 制图<br>DRAWING   |  深圳市华灿天禄电子有限公司<br>ShenzhenhuacantianluELECTRONICS CO.,LTD |   |             |     |
|           |                        |                   | DIM TOL               | 审核<br>CHECK   | 产品名称<br>TITLE  | 网络插座 (卧插 带灯无弹 左绿<br>右黄 TAB-DOWN 1X1 1000BASE) | 版本<br>REV.  | A   |
|           |                        |                   | X.X $\pm 0.30$        | 批准<br>APPROVAL  | 产品料号<br>PART NO.   | HC612601A-M417-A                              | 单位<br>UNITS | mm  |
| 1         | 初版发行                   |                   | X.XX $\pm 0.20$       | 比例<br>SCALE   | 材料<br>MATERIAL   |   | 页次<br>SHEET | 2/4 |
| 序号<br>No. | 变更内容<br>MODIFY CONTENT | 日期<br>MODIFY DATE | X.XXX $\pm 0.10$      | 投影<br>Projection  |  |   |             |     |
|           |                        |                   | Angle $\pm 3.0^\circ$ |  |  |   |             |     |



**Electrical:**

- Turn ratio: 1~2: J1~J2=1CT:1CT(±2%).  
3~4: J3~J6=1CT:1CT(±2%).  
7~8: J4~J5=1CT:1CT(±2%).  
9~10: J7~J8=1CT:1CT(±2%).
- OCL: 350uH Min. at 100KHz 100mV 8mA DC.
- Insertion Loss: -1.0 dB Max 1~100MHz.
- Return loss: -18dB Min 1~30MHz;  
-14dB Min 30~60MHz.  
-12dB Min 60~80MHz.  
-10dB Min 80~100MHz.
- Cross talk: -40dB Min 1~30MHz;  
-35dB Min 30~60MHz;  
-30dB Min 60~100MHz;
- CMR: -30dB Min 1~100MHz;
- Hi-Pot: 2250V DC 6S 1mA PRI TO SEC

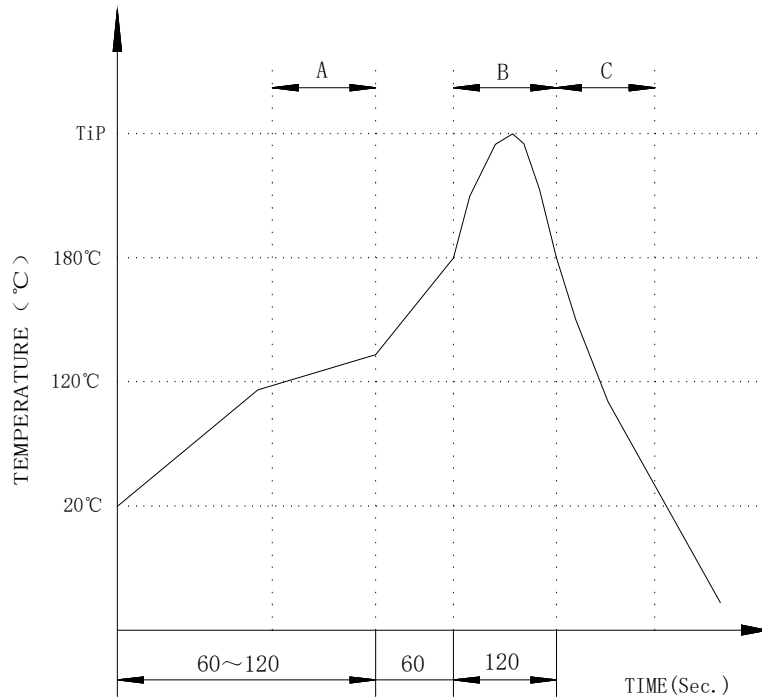


**LED Specification**

| Standard LED Color | LED Wavelength | Foward(A) | Foward(V)  |
|--------------------|----------------|-----------|------------|
| Green              | 568nm          | 20mA      | 1.85-2.45V |
| Yellow             | 585nm          | 20mA      | 1.7-2.2V   |

|           |                        |                   |                  |                  |  |  |             |     |
|-----------|------------------------|-------------------|------------------|------------------|--|--|-------------|-----|
|           |                        |                   | GENREL TOLERANCE | 制图<br>DRAWING    | 深圳市华灿天禄电子有限公司<br>ShenzhenhuacantianluELECTRONICS CO.,LTD |  |             |     |
|           |                        |                   | DIM TOL          | 审核<br>CHECK      | 产品名称<br>TITLE  | 网络插座 (卧插 带灯无弹 左绿 右黄 TAB-DOWN 1X1 1000BASE) | 版本<br>REV.  | A   |
|           |                        |                   | X.X ±0.30        | 批准<br>APPROVAL   | 产品料号<br>PART NO.   | HC612601A-M417-A                           | 单位<br>UNITS | mm  |
| 1         | 初版发行                   |                   | X.XXX ±0.10      | 比例<br>SCALE      | 材料<br>MATERIAL   |  | 页次<br>SHEET | 3/4 |
| 序号<br>No. | 变更内容<br>MODIFY CONTENT | 日期<br>MODIFY DATE | Angle ±3.0°      | 投影<br>Projection |  |  |             |     |

# PROFILE OF WAVE SOLDER




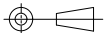
A.Preheating B.Soldering C.Gradual Cooling

Tip temperature:260±5°C.

Tip temperature time:5Sec Max.

Tip melting point of Sn96.5/Ag3/Cu0.5:217°C.

Remarks: after wave soldering, the plastic positioning columns of the product which under the PCB will be slightly melted, but it won't affect its function.

|           |                        |                   |                  |       |                  |   |  |                  |  |             |     |
|-----------|------------------------|-------------------|------------------|-------|------------------|---|--|------------------|--|-------------|-----|
|           |                        |                   | GENREL TOLERANCE |       | 制图<br>DRAWING    |  <b>深圳市华灿天禄电子有限公司</b><br>ShenzhenhuacantianluELECTRONICS CO.,LTD |  |                  |  |             |     |
|           |                        |                   | DIM              | TOL   | 审核<br>CHECK      |   |  | 产品名称<br>TITLE    | 网络插座 (卧插 带灯无弹 左绿 右黄 TAB-DOWN 1X1 1000BASE) | 版本<br>REV.  | A   |
|           |                        |                   | X. X             | ±0.30 | 批准<br>APPROVAL   |   |  | 产品料号<br>PART NO. | HC612601A-M417-A                           | 单位<br>UNITS | mm  |
| 1         | 初版发行                   |                   | X. XX            | ±0.20 | 比例<br>SCALE      |   |  | 材料<br>MATERIAL   |  | 页次<br>SHEET | 4/4 |
| 序号<br>No. | 变更内容<br>MODIFY CONTENT | 日期<br>MODIFY DATE | Angle            | ±3.0° | 投影<br>Projection |    |  |                  |  |             |     |