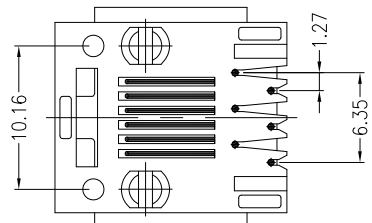
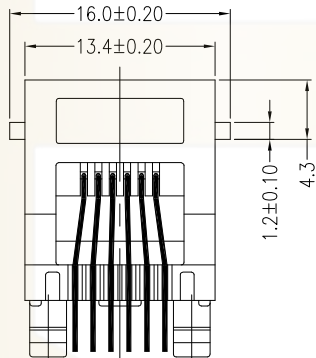
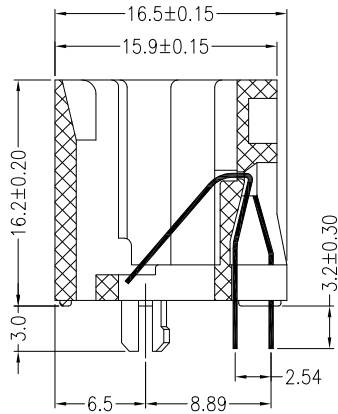
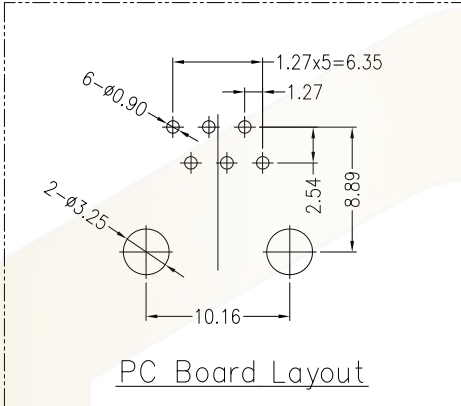


with bump



NOTES:

MATERIAL:

1. HOUSING MATERIAL: GLASS FILLED PBT(UL94V-0).
2. CONTACT MATERIAL: PHOSPHOR BRONZE  $\phi 0.46$ MM.
3. PLATING: GOLD PLATING  $Fu \sim 50u$  OVER NICKEL.

ELECTRICAL:

1. VOLTAGE RATING: 125Vac RMS .
2. CURRENT RATING: 1.5AMP .
3. CONTACT RESISTANCE: 30m $\Omega$  MAX .
4. INSULATION RESISTANCE: 500M $\Omega$  MIN @ 500Vdc .
5. DIELECTRIC WITHSTANDING VOLTAGE: 1000Vac RMS 50Hz 1MIN.

MECHANICAL:

1. DURRABILITY : 750 CYCLES MIN.
2. INSETION FORCE: 2.2Kgf MAX.
3. RETENTION STRENGTH : 7.7Kgf MIN BETWEEN JACK AND PLUG.

ENVIRONMENTAL:

1. STORAGE TEMPRATURE : -40° C TO 85° C.
2. OPERATION TEMPRATURE : -40° C TO 70° C.

			GENEERL TOLERANCE	制图 DRAWING	03	深圳市华灿天禄电子有限公司 ShenzhenhuacantianluELECTRONICS CO., LTD			
			DIM	TOL	审核 CHECK				
			X.X	$\pm 0.30$	批准 APPROVAL	产品名称 TITLE	网络插座(无灯 全塑 6P/6C 带凸台)	版本 REV.	A
			X.XX	$\pm 0.20$	比例 SCALE	产品料号 PART NO.	HC-RJ11-052B-1-6WB-03	单位 UNITS	mm
			X.XXX	$\pm 0.10$	投影 Projection	材料 MATERIAL		页次 SHEET	1/1
1	初版发行		Angle	$\pm 3.0^\circ$					
序号 No.	变更内容 MODIFY CONTENT	日期 MODIFY DATE							