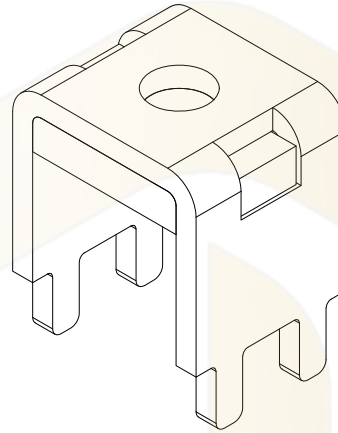
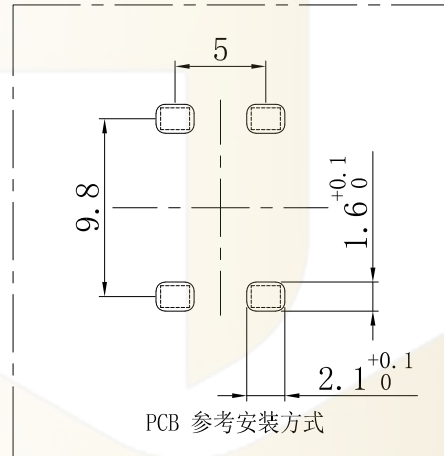
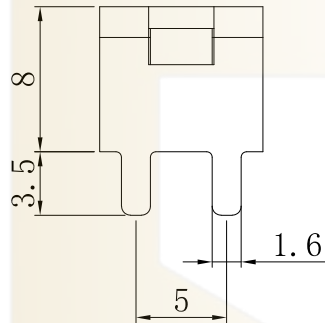
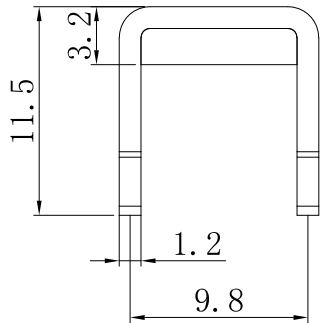


M4



NOTES:  
备注

1. Brass or purple copper, Bright tin-plating  
黄铜或紫铜, 镀亮锡
2. Wire screw hole M4  
压线螺孔M4
3. Current Rating: 70A  
额定电流: 70A
4. There shall be no defects such as pin deformation and burrs.  
不得有脚变形, 毛刺等缺陷
5. Unmarked dimensions refer to tolerances  
未标注的尺寸参考公差



Ordering Information

HC - \* \*\* \* - \*\*\*\* - \* \*\* \* - 07

Type	Thickness	Screw Thread	Welding Feet	Series	Model	Product No.	Material
Pin (插脚)	0.5mm	M3 (螺牙)	2个	1620	11x9	HC-RG1244-1109-D508-07	Brass (黄铜)
Pin (插脚)	1.0mm	M4 (螺牙)	2个	1620	11x9	HC-RG1244-1109-D508-07	Purple Copper (紫铜)
Pin (插脚)	1.5mm	M4 (螺牙)	2个	1620	11x9	HC-RG1244-1109-D508-07	Purple Copper (紫铜)
Pin (插脚)	2.0mm	M4 (螺牙)	2个	1620	11x9	HC-RG1244-1109-D508-07	Purple Copper (紫铜)
Pin (插脚)	2.5mm	M4 (螺牙)	2个	1620	11x9	HC-RG1244-1109-D508-07	Purple Copper (紫铜)
Pin (插脚)	3.0mm	M4 (螺牙)	2个	1620	11x9	HC-RG1244-1109-D508-07	Purple Copper (紫铜)

		GENREL TOLERANCE		制图	07		深圳市华灿天禄电子有限公司 ShenzhenhuacuantianluELECTRONICS CO., LTD			
		DIM	TOL	审核			产品名称	PCB 焊接端子 厚度1.2 插板 铆垫片	版本	A
		5 or more	±0.35	批准			TITLE	M4 4焊脚 11x9x11.5mm	REV.	
		2~5	±0.25	比例			产品料号	HC-RG1244-1109-D508-07	单位	mm
		0~2	±0.15	投影			PART NO.		页次	1/1
序号	变更内容	日期		Projection			MATERIAL		SHEET	
No.	MODIFY CONTENT	MODIFY DATE								