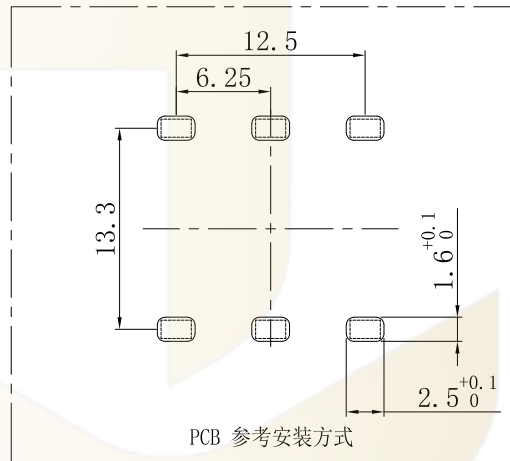
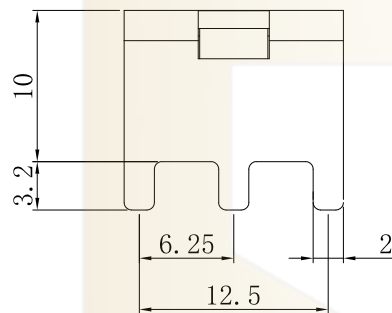
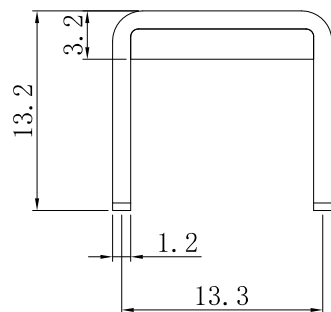


NOTES:
备注

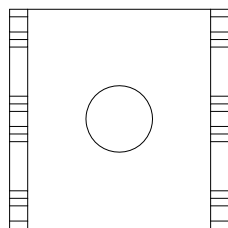
1. Brass or purple copper, Bright tin-plating
黄铜或紫铜, 镀亮锡
2. Wire screw hole M5
压线螺孔M5
3. Current Rating: 70A
额定电流: 70A
4. There shall be no defects such as pin deformation and burrs.
不得有脚变形, 毛刺等缺陷
5. Unmarked dimensions refer to tolerances
未标注的尺寸参考公差



Ordering Information

HC - * * * * - * * * * - * * * * - 07

Type	Thickness	Screw Thread	Welding Feet	Series	Product No.	Material
插板 (插板)	0.4mm	M5 (螺孔)	1.2 (焊脚)	14.5x14.5x13.2mm	HC-RG1256-1414-D523-07	黄铜 (黄铜)
螺母 (螺母)	0.4mm	M5 (螺孔)	1.2 (焊脚)	14.5x14.5x13.2mm	HC-RG1256-1414-D523-07	黄铜 (黄铜)
螺柱 (螺柱)	0.4mm	M5 (螺孔)	1.2 (焊脚)	14.5x14.5x13.2mm	HC-RG1256-1414-D523-07	黄铜 (黄铜)
螺帽 (螺帽)	0.4mm	M5 (螺孔)	1.2 (焊脚)	14.5x14.5x13.2mm	HC-RG1256-1414-D523-07	黄铜 (黄铜)
螺柱 (螺柱)	0.4mm	M5 (螺孔)	1.2 (焊脚)	14.5x14.5x13.2mm	HC-RG1256-1414-D523-07	黄铜 (黄铜)



		GENEAL TOLERANCE		制图	07		
		DIM	TOL	审核			
		5 or more	±0.35	批准			
		2~5	±0.25	比例			
		0~2	±0.15	SCALE			
		Angle	±3.0°	投影			
序号	变更内容	日期	深圳市华灿天禄电子有限公司				
No.	MODIFY CONTENT	MODIFY DATE	ShenzhenhuacantianluELECTRONICS CO., LTD				
				产品名称	PCB 焊接端子 厚度1.2 插板 铆垫片	版本	A
				TITLE	M5 6焊脚 14.5x14.5x13.2mm	REV.	
				产品料号	HC-RG1256-1414-D523-07	单位	mm
				PART NO.		页次	1/1
				MATERIAL		SHEET	