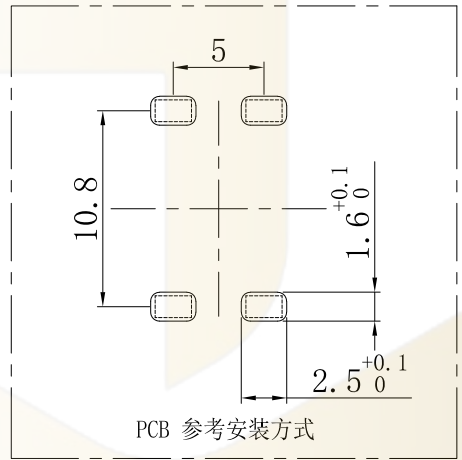
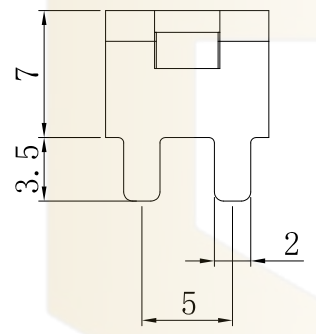
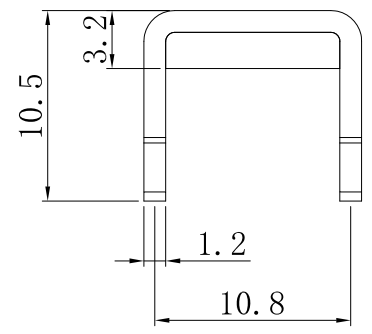


NOTES:
备注

1. Brass or purple copper, Bright tin-plating
黄铜或紫铜, 镀亮锡
2. Wire screw hole M4
压线螺孔M4
3. Current Rating: 70A
额定电流: 70A
4. There shall be no defects such as pin deformation and burrs.
不得有脚变形, 毛刺等缺陷
5. Unmarked dimensions refer to tolerances
未标注的尺寸参考公差



Ordering Information

HC - * ** * - * - * - * - * - * - 07

Type	Thickness	Screw Thread	Welding Feet	Series	Model	Product No.	Material
Welded Tooth (焊牙)	0.5±0.05mm	M4	2个	1620#16x20mm	1620#16x20mm	HC-RG1244-1209-D512-07	镀锡紫铜 (紫铜)
Welded Nut (焊螺母)	1.0±0.1mm	M4	2个	镀锡紫铜 (紫铜)
Welded Gasket (焊垫片)	1.5±0.1mm	M4	4个	镀锡紫铜 (紫铜)
	2.0±0.2mm	M4	6个	镀锡紫铜 (紫铜)
	2.5±0.2mm	M4	8个	镀锡紫铜 (紫铜)
	3.0±0.2mm	M4	镀锡紫铜 (紫铜)

		GENERAL TOLERANCE		制图	07		深圳市华灿天禄电子有限公司 ShenzhenhuacantianlueLECTRONICS CO., LTD			
		DIM	TOL	审核						
		5 or more	±0.35	批准			产品名称	PCB 焊接端子 厚度1.2 插板 铆垫片	版本	A
		2~5	±0.25	APPROVAL			TITLE	M4 4焊脚 12x9x10.5mm	REV.	
		0~2	±0.15	比例			产品料号	HC-RG1244-1209-D512-07	单位	mm
序号	变更内容	日期		SCALE			PART NO.		页次	1/1
No.	MODIFY CONTENT	MODIFY DATE		Angle	±3.0°	投影	MATERIAL		SHEET	